

Item No.	Type	Sub	Part No.	Description (*see Service Changes on the bottom)	Qty	Unit
1			253989-3	SPRING WASHER 12	4	PC.
2			265997-2	* HEX. SOCKET HEAD BOLT M12X40	4	PC.
3			256219-1	PIN 4	1	PC.
4		1	322560-5	* RETAINER RING	1	PC.
		2	322699-4	* RETAINER RING	1	PC.
5			231281-7	COMPRESSION SPRING 15	1	PC.
6			322567-1	TOOL RETAINER	1	PC.
7		1	322514-2	* TOOL HOLDER - N/L/A	1	PC.
		2	322692-8	* TOOL HOLDER	1	PC.
8			213755-0	O RING 75	1	PC.
9			213517-6	X RING 40	1	PC.
10		1	322384-9	* IMPACT BOLT	1	PC.
		2	322693-6	* IMPACT BOLT	1	PC.
11			213717-8	O RING 63	1	PC.
12		1	322385-7	* IMPACT BOLT HOLDER	1	PC.
		2	322931-6	* IMPACT BOLT HOLDER	1	PC.
13			262050-5	RUBBER RING 54	1	PC.
14		1	322386-5	* CYLINDER B	1	PC.
		2	322930-8	* CYLINDER B	1	PC.
15			213660-1	O RING 53	1	PC.
16			261084-5	RUBBER WASHER 63	1	PC.
17			265956-6	SET BOLT M10X120	1	PC.
18			414819-5	HANDLE BASE	1	PC.
19			414819-5	HANDLE BASE	1	PC.
20			252633-9	WING NUT M10	1	PC.
21			421386-3	SIDE HANDLE	1	PC.
22		1	316272-0	BARREL	1	PC.
		2	318558-8	BARREL	1	PC.
23			322383-1	STRIKER	1	PC.
24			213564-7	O RING 45	1	PC.
25			322387-3	PISTON CYLINDER	1	PC.
26			256209-4	PIN 10	1	PC.
27			213473-0	O RING 33	1	PC.
28			922376-4	HEX. SOCKET HEAD BOLT M6X55	2	PC.
29			941152-7	FLAT WASHER 6	2	PC.
30			414646-0	UPPER HANDLE	1	PC.
31			421373-2	RUBBER	1	PC.
32			182429-3	HANDLE SET	1	SET
		INC.		Item No. 37,40,41		
33			421265-5	DUST COVER	1	PC.
34			651145-3	SWITCH C3D-H-MS	1	PC.
35			231298-0	COMPRESSION SPRING 6	1	PC.
36			414885-2	LOCK BUTTON	1	PC.
37			182429-3	HANDLE SET	1	SET
		INC.		Item No. 32,40,41		
38			911248-8	PAN HEAD SCREW M5X28	2	PC.
39			322464-1	LOCK PIN	1	PC.
40			263002-9	RUBBER PIN 4	1	PC.
41			263002-9	RUBBER PIN 4	1	PC.
42			421373-2	RUBBER	1	PC.
43			182405-7	LOWER HANDLE SET	1	SET
44		1	682505-8	CORD GUARD 10-90	1	PC.

Item No.	Type	Sub	Part No.	Description (*see Service Changes on the bottom)	Qty	Unit
		2	682568-4	CORD GUARD 10	1	PC.
45			664471-1	CORD W/PLUG 2P-14-5.0M	1	PC.
	Opt.		664463-0	CORD W/PLUG 2P-14-2.5M, SJ (Option)	1	PC.
48			922356-0	HEX. SOCKET HEAD BOLT M6X35	2	PC.
49			941152-7	FLAT WASHER 6	2	PC.
50			911248-8	PAN HEAD SCREW M5X28	1	PC.
52	1		265941-9	TAPPING SCREW BT 4X18	2	PC.
	2		265995-6	TAPPING SCREW 4X18	2	PC.
53			687052-4	STRAIN RELIEF	1	PC.
54			687051-6	STRAIN RELIEF	1	PC.
55			159189-2	GEAR HOUSING COMPLETE	1	PC.
		INC.		Item No. 69		
56			256111-1	PIN 6	1	PC.
57	1		211106-1	BALL BEARING 6201LLB (W/Rubber Sealing)	1	PC.
	2		211109-5	BALL BEARING 6201 (W/O Rubber Sealing)	1	PC.
58			221781-5	HELICAL GEAR 37	1	PC.
59	1		211106-1	BALL BEARING 6201LLB (W/Rubber Sealing)	1	PC.
	2		211109-5	BALL BEARING 6201 (W/O Rubber Sealing)	1	PC.
60	1		316271-2	GEAR HOUSING COVER - N/L/A	1	PC.
	2		316995-0	GEAR HOUSING COVER	1	PC.
61			265367-5	HEX. SOCKET HEAD BOLT M8X40	4	PC.
62			953106-2	RIVET 0-5 (OLD)	4	PC.
64			922376-4	HEX. SOCKET HEAD BOLT M6X55	4	PC.
65	1		211211-4	BALL BEARING 6302 (W/Rubber Sealing)	1	PC.
	2		211214-8	BALL BEARING 6302 W/O Rubber Sealing)	1	PC.
66	1		254038-9	WOODRUFF KEY 4	2	PC.
	2		254001-2	WOODRUFF KEY 4	2	PC.
67			221782-3	HELICAL GEAR 55	1	PC.
68			213354-8	OIL SEAL 25	1	PC.
69			213460-9	O RING 35	1	PC.
70			331367-8	SEALING SCREW	1	PC.
71			211206-7	BALL BEARING 6202LLB	1	PC.
72			213202-1	DUST SEAL 15	1	PC.
73			241648-1	FAN 104	1	PC.
74			514956-6	ARMATURE ASS'Y 115V	1	PC.
		INC.		Item No. 71-73,75,76		
75	1		681624-7	INSULATION WASHER - N/L/A	1	PC.
	2		681635-2	INSULATION WASHER	1	PC.
76			211066-7	BALL BEARING 6200LLB	1	PC.
77			253794-8	FLAT WASHER 18	1	PC.
78			624901-4	FIELD 115V	1	PC.
79			213406-5	O RING 30	1	PC.
80			316268-1	REAR CASE	1	PC.
81			922356-0	HEX. SOCKET HEAD BOLT M6X35	4	PC.
82			911211-1	PAN HEAD SCREW M5X12	4	PC.
83			343748-4	HOLDER CAP PLATE	2	PC.
84			262044-0	RUBBER RING 12	2	PC.
85			643700-5	BRUSH HOLDER CAP 7-18	2	PC.
86	1		191957-7	CARBON BRUSH CB-204 2PC/SET (W/O ORIGIN)	1	SET
	2		194992-4	CARBON BRUSH CB-204 2PC/SET (W/ ORIGIN)	1	SET

Item No.	Type	Sub	Part No.	Description (*see Service Changes on the bottom)	Qty	Unit
87	1		159164-8	MOTOR HOUSING COMPLETE - N/L/A	1	PC.
		INC.	414665-6	FIX RING	2	PC.
		INC.	421374-0	CUSHION RING - N/L/A	2	PC.
		INC.	643703-9	BRUSH HOLDER - N/L/A	2	PC.
		INC.		Item No. 79		
87	2		159631-3	MOTOR HOUSING COMPLETE	1	PC.
		INC.	414665-6	FIX RING	2	PC.
		INC.	643711-0	BRUSH HOLDER (OLD# 643931-6 - N/L/A)	2	PC.
		INC.		Item No. 79		
88			265341-3	+ HEX. BOLT M5X75	2	PC.
89	1		159601-2	CRANK HOUSING COM.	1	PC.
	2		316498-4	CRANK HOUSING	1	PC.
90			213755-0	O RING 75	1	PC.
91			213806-9	O RING 90	1	PC.
92			322381-5	CONNECTING ROD	1	PC.
93			212309-0	NEEDLE BEARING 2016	1	PC.
94			152373-8	CRANK SHAFT COMPLETE	1	PC.
		INC.	216115-5	INNER SLEEVE 1716	1	PC.
95			265366-7	HEX. SOCKET HEAD BOLT M6X22	4	PC.
96			316267-3	BEARING BOX	1	PC.
97			211359-2	BALL BEARING 6205	1	PC.
98			213504-5	O RING 40	1	PC.
99	1		341397-1	PLATE 50	1	PC.
	2		153666-6	PLATE 50 COMPLETE	1	PC.
100			442009-0	PACKING 50	1	PC.
101			911211-1	PAN HEAD SCREW M5X12	4	PC.
102			257182-1	* RING 12	4	PC.
103			261105-3	* NYLON WASHER 42 (Added)	1	PC.
104			684121-2	* VINYL TUBE 10-60 (Added)	1	PC.
200			652014-1	P.H. SCREW M4 X 8	4	PC.
201			652252-5	CLAMP WASHER	4	PC.
202			654002-4	EYE TERMINAL 1.25-M4	2	PC.
203			654005-8	TERMINAL 2-M4	2	PC.
204			654510-5	CLSD END TERM.5.5-SD	2	PC.
C01			820701-2	CARTON F/HM1500	1	PC.

ACCESSORIES

- See catalogue or visit www.makita.ca for other optional accessories -

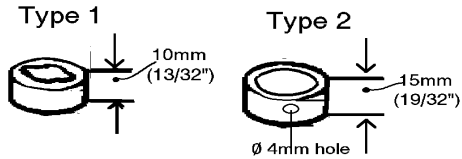
A03			783207-0	HEX. WRENCH 10	1	PC.
A04	1		798029-5	BULL POINT 30-410 - N/L/A	1	PC.
	2		A-80466	BULL POINT 30-410	1	PC.
A05			182714-4	METAL CARRYING CASE	1	PC.
A06			A-90582	HAMMER GREASE 30CC(1 OZ)	1	PC.
A07			193403-6	HAMMER SERVICE KIT	1	PC.

SERVICE CHANGES

1. Changes on Retainer Ring

Item No.	Description	Type 1	Type 2
4	Retainer Ring	322560-5	322699-4
	Serial No.	~ 8742E	8743E ~

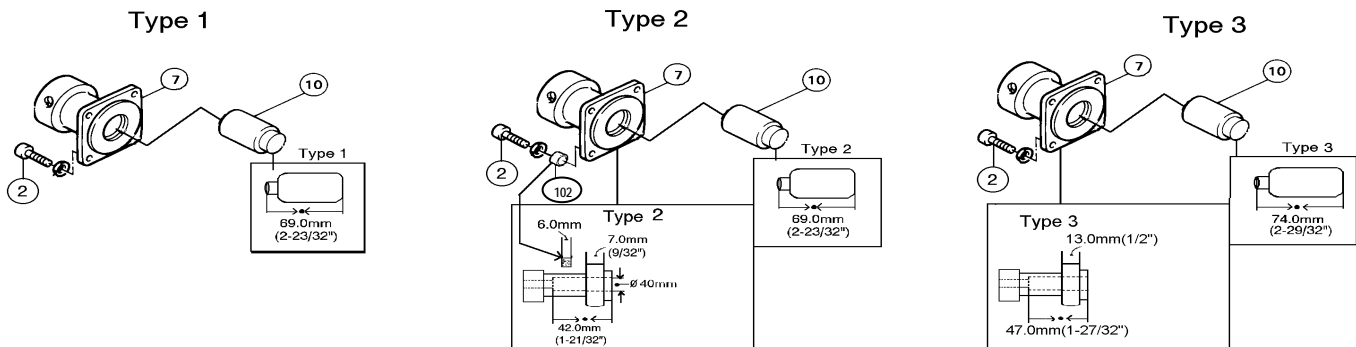
Above parts are completely interchangeable as a set.



2. Changes on Tool Holder, Impact Bolt, etc.

Item No.	Description	Type 1	Type 2	Type 3
2	H.S.H.Bolt	265368-3		265997-2
7	Tool Holder	322514-2 (N/L/A)		322692-8
10	Impact Bolt	322384-9		322693-6
102	Ring 12	-----	257182-1	-----
	Serial No.	~6387	6388~8681	8682~

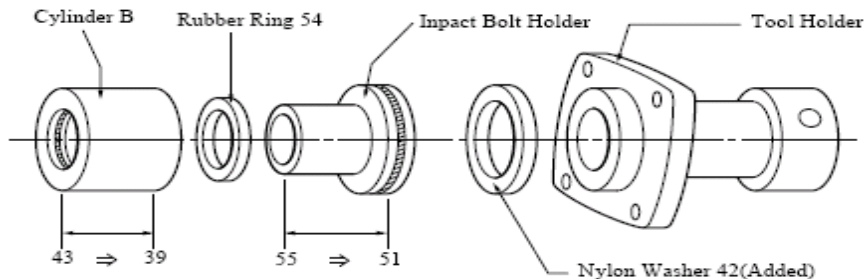
Above parts are completely interchangeable as a set.



3. Changes on Impact Bolt Holder, Cylinder B and Addition of Nylon Washer

Item No.	Description	Type 1	Type 2
12	Impact Bolt Holder	322385-7 (N/L/A)	322931-6
14	Cylinder B	322386-5 (N/L/A)	322930-8
103	Nylon Washer 42	-----	261105-3
	Serial No.	~17340	17341~

Above parts are completely interchangeable as a set.



3. Addition of Vinyl Tube

Item No.	Description	Type 1	Type 2
104	Vinyl tube	-----	684121-2

